

Product data sheet

Specifications



I/O expansion module, Modicon M238 logic controller, Twido, 8 inputs voltage/current, non differential, wear part

TM2AMI8HT

⚠ Discontinued - Service only

⚠ Discontinued on: Dec 1, 2020

⚠ To be end-of-service on: Jun 30, 2024

Product availability: Non-Stock - Not normally stocked in distribution facility

Main

Range Of Product	Modicon M238 logic controller
Product Or Component Type	I/O expansion module
Analogue Input Number	8
Analogue Input Type	current 4...20 mA non differential voltage 0...10 V non differential
Cross Talk	<= 1 LSB

Complementary

Range Compatibility	Twido Advantys OTB
Analogue Input Resolution	10 bits
Lsb Value	19.5 μ A current 9.7 mV voltage
Permissible Continuous Overload	40 mA current 13 V voltage
Input Impedance	\geq 10 kOhm voltage 470 Ohm current
Sampling Duration	160 ms
Acquisition Period	160 ms per channel + 1 controller cycle time
Measurement Error	+/- 0.2 % of full scale 25 °C
Temperature Coefficient	+/-0.01 %FS/°C
Repeat Accuracy	+/- 0.4 %FS
Non-Linearity	+/- 0.002 %FS
Total Error	+/-1 %FS
Type Of Cable	Shielded cable
Insulation Between Channel And Internal Logic	Photocoupler
Supply	External supply
[Us] Rated Supply Voltage	24 V DC
Supply Voltage Limits	20.4...28.8 V

Price is "List Price" and may be subject to a trade discount – check with your local distributor or retailer for actual price.

Electrical Connection	1 removable screw terminal block power supply 1 removable screw terminal block sensors
Current Consumption	45 mA 24 V DC external 60 mA 5 V DC internal
Net Weight	0.19 lb(US) (0.085 kg)

Environment

Dielectric Strength	2500 V between the I/O and internal logic
Width	0.93 in (23.5 mm)
Depth	2.76 in (70 mm)
Height	3.54 in (90 mm)

Ordering and shipping details

Category	US1PC1222531
Discount Schedule	PC12
Gtin	3595863996357
Returnability	No
Country Of Origin	FR

Packing Units

Unit Type Of Package 1	PCE
Number Of Units In Package 1	1
Package 1 Height	2.95 in (7.5 cm)
Package 1 Width	4.13 in (10.5 cm)
Package 1 Length	4.92 in (12.5 cm)
Package 1 Weight	5.08 oz (144.0 g)
Unit Type Of Package 2	S03
Number Of Units In Package 2	18
Package 2 Height	11.81 in (30.0 cm)
Package 2 Width	11.81 in (30.0 cm)
Package 2 Length	15.75 in (40.0 cm)
Package 2 Weight	6.85 lb(US) (3.107 kg)

Contractual warranty

Warranty	18 months
-----------------	-----------

Sustainability

Green Premium™ label is Schneider Electric's commitment to delivering products with best-in-class environmental performance. Green Premium promises compliance with the latest regulations, transparency on environmental impacts, as well as circular and low-CO₂ products.

Guide to assessing product sustainability is a white paper that clarifies global eco-label standards and how to interpret environmental declarations.

[Learn more about Green Premium >](#)

[Guide to assess a product's sustainability >](#)



Transparency RoHS/REACH

Well-being performance

Mercury Free

Rohs Exemption Information Yes

Pvc Free

Certifications & Standards

Reach Regulation

[REACH Declaration](#)

Eu Rohs Directive

Pro-active compliance (Product out of EU RoHS legal scope)

China Rohs Regulation

[China RoHS declaration](#)

Environmental Disclosure

[Product Environmental Profile](#)

Weee

The product must be disposed on European Union markets following specific waste collection and never end up in rubbish bins.

Circularity Profile

[End of Life Information](#)

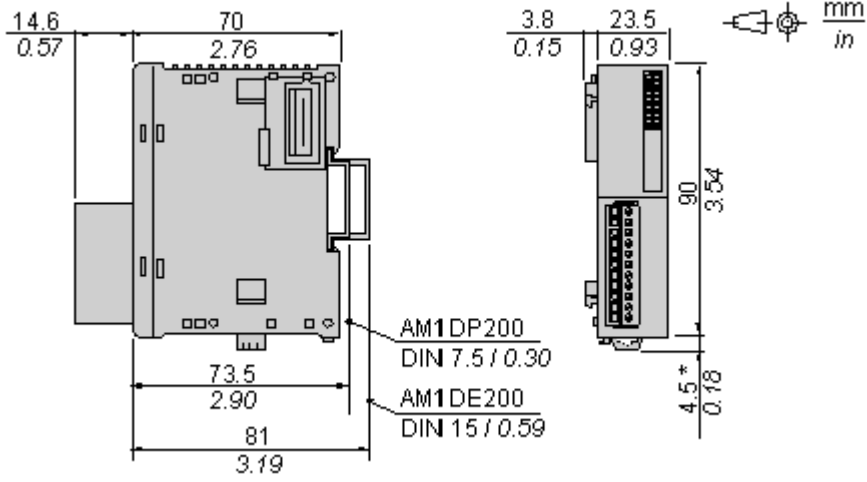
California Proposition 65

WARNING: This product can expose you to chemicals including: Lead and lead compounds, which is known to the State of California to cause cancer and birth defects or other reproductive harm. For more information go to www.P65Warnings.ca.gov

Dimensions Drawings

Analog Input Module (8-channel, Voltage/Current)

Dimensions

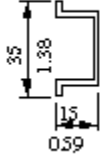


NOTE: * 8.5 mm (0.33 in) when the clip-on lock is pulled out.

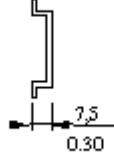
Mounting and Clearance

DIN Rail Mounting

AM1DE200
IEC/EN 60715



AM1DP200



AM1ED200



DZ5MB200

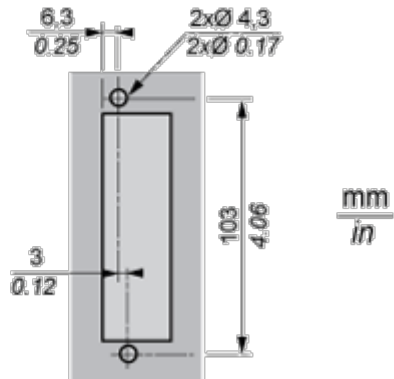
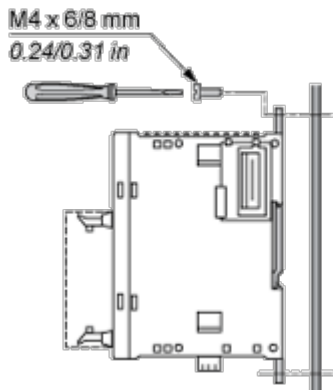


Rail depth	Catalogue part number
15 mm (0.59 in.)	AM1DE200
7,5 mm (0.30 in.)	AM1DP200

NOTE: Do not use AM1ED200 and DZ5MB200

Module Mounting on a Panel Surface

Mounting Hole Layout



Connections and Schema

Wiring Requirements

Cable Types and Wire Sizes for Removable Screw Terminal Block

mm ²	0,14...1,5	0,25...0,5	0,25...1,5	0,14...0,5	0,14...0,75	0,25...0,34	0,5
AWG	26...16	24...20	24...16	26...20	26...18	24...22	20

Analog Input Module (8-channel, Voltage/Current)

Wiring Diagram

